



DuraPlan
— RESTROOMS —

PRODUCT GUIDE

Duramac Vanities

Waterproof and durable, the Dura-Mac is the tough solution for your projects

09 972 7682
sales@duraplan.co.nz
www.duraplan.co.nz

Waterproof and durable, the DuraMac Range is the tough solution for your projects.

DuraMac - Tough and totally waterproof, DuraPlan's DuraMac range delivers function, outstanding durability and a clean-cut design style. Solid grade laminate applied throughout, with a choice of edge details, makes DuraMac a practical yet smart solution to the requirements of any demanding environment.

| SPECIAL FEATURES

When it comes to manufacturing commercial vanities, DuraPlan only uses high-grade materials. Working in accordance with New Zealand's standards, we ensure that the DuraMac washroom vanity represents our level of craftsmanship.

- Solid grade Laminate tops and under-unit panels
- Panels made of 13mm Compact Laminate
- Wide range of colours available
- Water and impact resistant. Ideal for schools, colleges, detention centres, prisons etc.
- Clean-cut style with powder-coated aluminium trimmings
- Easy to clean and maintain
- Duralam compact colours - matching cubicles

| VANITY OPTIONS

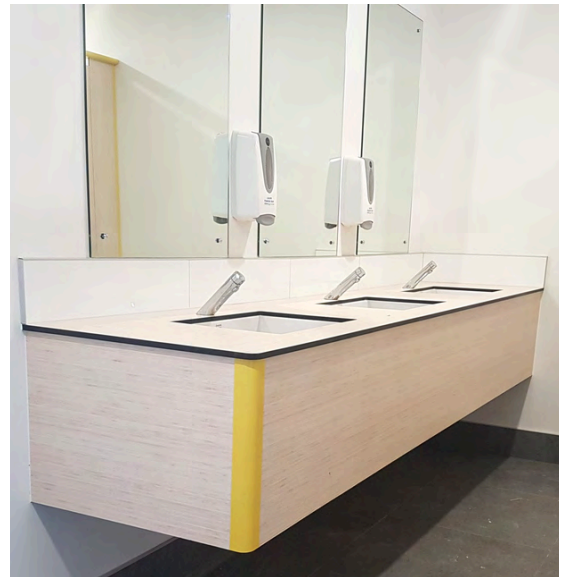
- DuraMac vanities are made per the customers requirements therefore different configurations are available
- Semi recessed or recessed hand basins or undermount basin options
- Customized restroom layouts
- Wide range of panel colours

| Duralam Antibacterial Compact Laminate



Improving Your Environment.

The DurMac Vanity Range is available in the DuraLam Panel. Antibacterial Compact Laminate eliminates the growth of nearly 99% of common forms of bacteria on any surface.



| RECOMMENDED APPLICATIONS

- Schools / Education Centres
- Sports / Recreational Centres
- Changing Rooms
- Club Rooms
- Aquatic Centres
- Public Amenities
- Community Centres
- Commercial Bathrooms
- Hotels

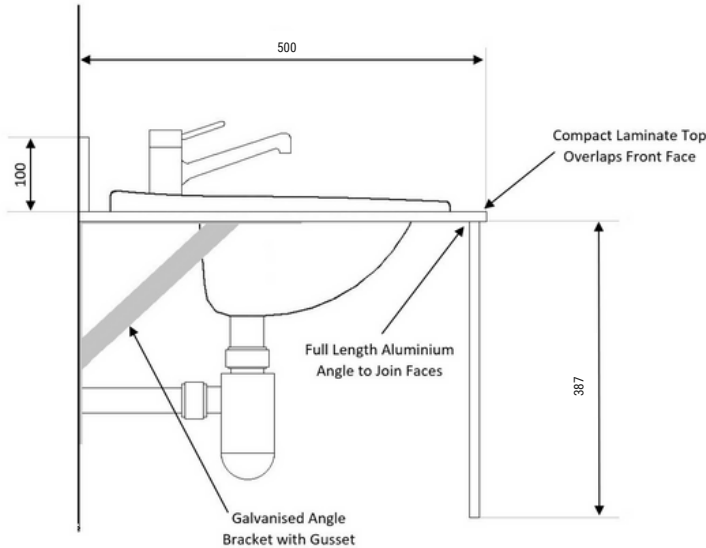
| DURAMAC COLOURS

Duraplan offers a wide range of available colour options for our DuraMac Vanities.

| DIMENSION DETAILS

The Dura-Mac Vanities Standard Dimensions are:

- Length - Customised for every project
- Depth - 500mm
- Drop Down - 387mm
- Up-stand - 100mm
- Note: All sizes can be customised on each project



| MAINTENANCE & DURABILITY

- Clean with mild cleaner and a soft cloth
- Do not use abrasive cleaners
- The resin bonded core is engineered to retain its freshness for years
- Duraplan products are tough and durable and are perfect for high use and demanding locations and also ideal for wet areas due to our moisture resistant panels

| INSTALLATION

Duraplan is fully equipped to provide an installation service or alternatively customers can install the system themselves. Included in the delivered kit set will be easy to follow installation instructions and hardware..

| WARRANTY DETAILS

- 10 Year Panel Integrity Guarantee
- 2 Years on Hardware
- 2 Years on Installation



For pricing, email your drawings or plans to sales@duraplan.co.nz or give the Duraplan team a call on 09 972 7682 to discuss your project requirements.

WWW.DURAPLAN.CO.NZ

Contact the Restroom Specialists today for all product enquiries or to request a free consultation. Simply scan this QR Code to get immediate access to this products web page.
sales@duraplan.co.nz | 09 972 7682
www.duraplan.co.nz

